

PACSystems™ Ethernet switch SLN042

Introduction



SLN042 series are unmanaged Ethernet switch with 4x10/100Base-T(x) and 2x100Base-F(x)

With very compact size of housing, you can install easily.

In addition, SLN042 can operate under harsh environment.

The extended operation temperature range is from -40 to 70°C.

Features

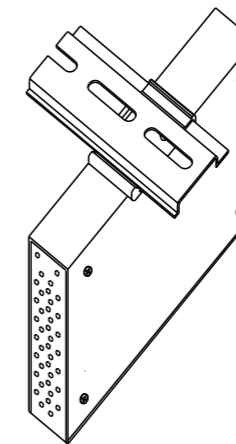
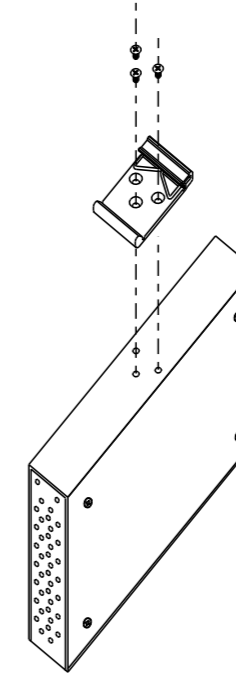
- 4x10/100Base-T(x) and 2x100Base-F(x)
- Supports store and forward transmission
- Supports flow control
- Dual DC input 12-48VDC
- Compact size for easily installation
- Rigid IP-30 housing design
- DIN-Rail and wall mounting enabled

Specifications

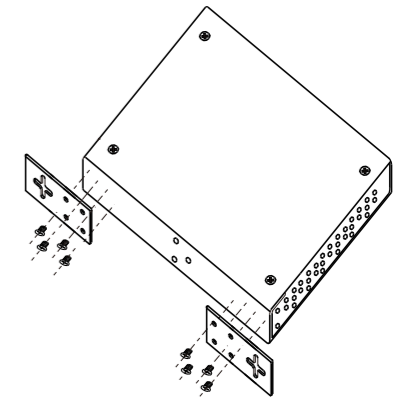
Part Number	IC086SLN042MM	IC086SLN042SS
Physical Ports		
10/100 Base-T(X) RJ45 Auto MDI/MDIX	4	
100 Base-FX Port	2 (Multi-Mode 2KM)	2 (Single-Mode,30KM)
Technology		
Ethernet Standards	IEEE 802.3 for 10Base-T IEEE 802.3u for 100Base-TX and 100Base-FX IEEE 802.3x for Flow control	
MAC Table	2048 MAC address	
Processing	Store-and-Forward	
LED Indicators		
Power Indicator	Green: Power LED x2	
Fault Indicator	Amber : Indicates PWR1 or PWR2 failure occurred	
10/100Base-T(X) RJ45 Port Indicator	Green for port Link/Act. Amber for duplex indicator	
Fiber Port LED	Green for port Link/Act.	
Power		
Input Power	Dual 12~48 VDC power inputs at 6-pin terminal block	
Power Consumption(Typ.)	7 Watts	
Overload Current Protection	Present	
Reverse Polarity Protection	Present on terminal block	
Physical Characteristic		
Enclosure	IP-30	
Dimension (W x D x H)	26.1(W) x 94.9(D) x 144.3(H)mm	
Weight (g)	382g	
Environmental		
Storage Temperature	-40 to 85°C (-40 to 185°F)	
Operating Temperature	-40 to 70°C (-40 to 158°F)	
Operating Humidity	5% to 95% Non-condensing	
Regulatory Approvals		
EMI	FCC Part 15, CISPR (EN55032) class A	
EMS	EN61000-4-2 (ESD), EN61000-4-3 (RS), EN61000-4-4 (EFT), EN61000-4-5 (Surge), EN61000-4-6 (CS), EN61000-4-8, EN61000-4-11	
Shock	IEC60068-2-27	
Free Fall	IEC60068-2-32	
Vibration	IEC60068-2-6	
Warranty	5 years	

Installation

Din-Rail Install Step

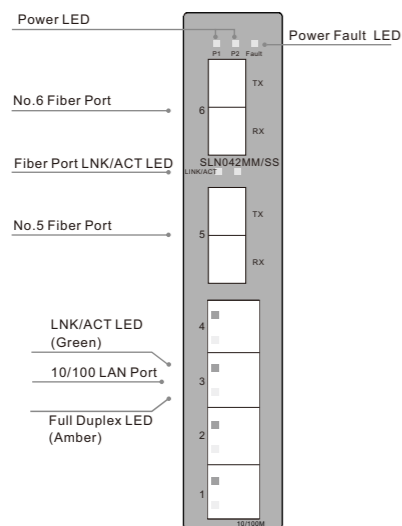


Wall-mounted Install Step

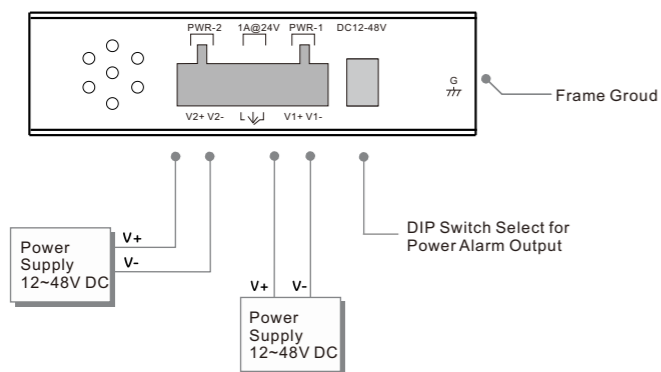


GFK-3150A

Front panel



Power Connection Guide

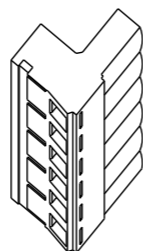


DIP Switch Function

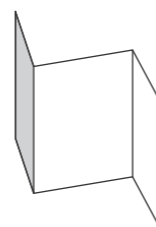
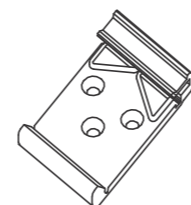
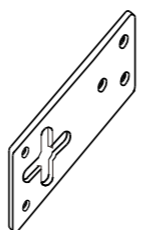
DIP-1	DIP-2	Description
OFF	OFF	Power failure relay alarm disabled
ON	OFF	PWR-1 failure, relay alarm enabled
OFF	ON	PWR-2 failure, relay alarm enabled
ON	ON	PWR-1or PWR-2 failure, relay alarm enabled

Accessory

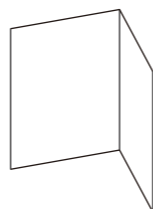
- ① 6-Pin Terminal block ② Dust Cover (RJ-45) ③ Screw (M3 X3)



- ④ Wall-mounted kit ⑤ 25mm DIN-Rail kit ⑥ Quick guide



- ⑦ RoHS Document



Packing list

Part Number	Product Description	Accessory
IC086SLN042MM	Unmanaged Ethernet switch with 4x10/100Base-T(X) and 2x100Base-F(X) ,Multimode Port.	⊗ X 1, ⊗ X 4, ⊗ X 6, ⊗ X 2, ⊗ X 1, ⊗ X 1 ⊗ X 1
IC086SLN042SS	Unmanaged Ethernet switch with 4x10/100Base-T(X) and 2x100Base-F(X) ,Singlemode Port.	⊗ X 1, ⊗ X 4, ⊗ X 6, ⊗ X 2, ⊗ X 1, ⊗ X 1, ⊗ X 1

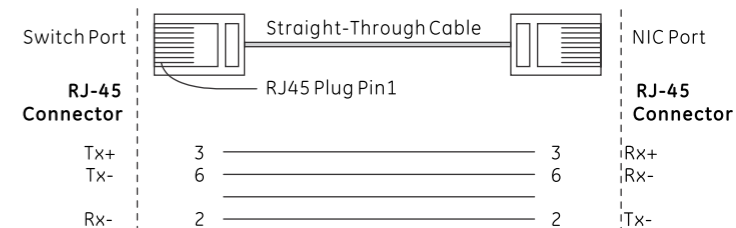
Communication Connections

- 10/100Base-T(X) Ethernet Port Connection

- RJ45 (8-pin, MDI) Port Pinouts ■ RJ45 (8-pin, MDI-X) Port Pinouts

Pin	Signal	Pin	Signal
1	Tx+	1	Rx+
2	Tx-	2	Rx-
3	Rx+	3	Tx+
6	Rx-	6	Tx-

- RJ45 (8-pin) to RJ45 (8-Pin) Straight-Through Cable Wiring



- RJ45 (8-pin) to RJ45 (8-Pin) Cross-Over Cable Wiring

