

QuickPanel™ Control Communication Module Hardware User Guide

***VersaMax® Micro PLC Expansion Interface Adapter
IC754UEX001***

December 2005
GFK-2425

All rights reserved. No part of this publication may be reproduced in any form or by any electronic or mechanical means, including photocopying and recording, without permission in writing from GE Fanuc Automation Americas, Inc.

Disclaimer of Warranties and Liability

The information contained in this manual is believed to be accurate and reliable. However, GE Fanuc Automation Americas, Inc. assumes no responsibilities for any errors, omissions or inaccuracies whatsoever. Without limiting the forgoing, GE Fanuc Automation Americas, Inc. disclaims any and all warranties, expressed or implied, including the warranty of merchantability and fitness for a particular purpose, with respect to the information contained in this manual and the equipment or software described herein. The entire risk as to the quality and performance of such information, equipment and software, is upon the buyer or user. GE Fanuc Automation Americas, Inc. shall not be liable for any damages, including special or consequential damages, arising out of the use of such information, equipment and software, even if GE Fanuc Automation Americas, Inc. has been advised in advance of the possibility of such damages. The use of the information contained in the manual and the software described herein is subject to GE Fanuc Automation America's standard license agreement, which must be executed by the buyer or user before the use of such information, equipment or software.

Notice

GE Fanuc Automation Americas, Inc. reserves the right to make improvements to the products described in this publication at any time and without notice.

QuickPanel View QuickPanel Control and VersaMax are trademarks of GE Fanuc Automation Americas, Inc., in the United States and other countries. Any other trademarks referenced herein are the property of their respective owners and used solely for purposes of identifying compatibility with the products of GE Fanuc Automation Americas, Inc.

**©Copyright 2005 GE Fanuc Automation North America, Inc.
All Rights Reserved.**

The VersaMax Micro PLC Expansion Interface Adapter and Expansion I/O Cable has been tested and found to meet or exceed the requirements of U.S. (47 CFR 15), Canadian (ICES-003), Australian (AS/NZS 3548) and European (EN55022) regulations for Class A digital devices when installed in accordance with guidelines noted in this manual.

Note: This device complies with Part 15 of the FCC rules. Operation is subject to the following two conditions: (1) This device may not cause harmful interference, and (2) This device must accept any interference received including interference that may cause undesired operation.

Note: This Class A digital apparatus complies with Canadian ICES-003.

Note: This equipment has been tested and found to comply with the limits for a Class A digital device, pursuant to Part 15 of the FCC Rules. These limits are designed to provide reasonable protection against harmful interference when the equipment is operated in a commercial environment. This equipment generates, uses, and can radiate radio frequency energy and, if not installed and used in accordance with the instruction manual, may cause harmful interference to radio communications. Operation of this equipment in a residential area is likely to cause harmful interference in which case the user will be required to correct the interference at his own expense.

Note: Any changes or modifications to the product or installation that are not expressly approved by GE Fanuc Automation could void the user's authority to operate the equipment under FCC rules.

The following statements are required to appear for Class 1, Div 2 Hazardous Locations.

1. EQUIPMENT LABELED WITH REFERENCE TO CLASS 1, GROUPS A, B, C, AND D, DIV 2 HAZARDOUS LOCATIONS IS SUITABLE FOR USE IN CLASS 1, DIVISION 2, GROUPS A, B, C, D, OR NON-HAZARDOUS LOCATIONS ONLY.
2. WARNING - EXPLOSION HAZARD - WHEN IN HAZARDOUS LOCATIONS, TURN OFF POWER BEFORE REPLACING OR WIRING MODULES.
3. WARNING - EXPLOSION HAZARD - DO NOT CONNECT OR DISCONNECT EQUIPMENT UNLESS POWER HAS BEEN SWITCHED OFF OR THE AREA IS KNOWN TO BE NONHAZARDOUS.

Table of Contents

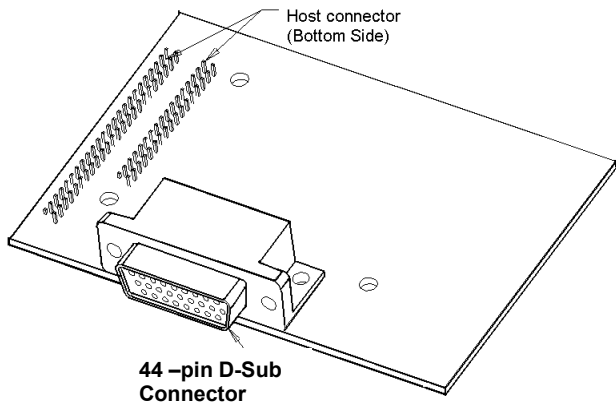
Description	1
Related Documents.....	2
Pin Details of 44-pin D-sub Connector.....	3
VersaMax Micro Expansion I/O Cable	4
Installing a VersaMax Micro PLC Expansion Interface Adapter ..	5
Connecting the Expansion Cable	7
Environmental Specifications.....	9
Product Certification.....	10

Description

The VersaMax Micro PLC expansion Interface Adapter is a communication card that allows the QuickPanel Control operator interface to control GE Fanuc VersaMax Micro PLC Expansion Units. The expansion Interface Adapter is used to connect the QuickPanel Control operator interface up to four VersaMax Micro PLC expansion units.

The communication path consists of a VersaMax Micro PLC Expansion Interface Adapter installed in a QuickPanel Control, a VersaMax Micro Expansion I/O Cable (supplied) and VersaMax Micro PLC expansion units.

The top side of the VersaMax Micro PLC expansion Interface Adapter is shown below. It provides a host connector that connects the VersaMax Micro PLC expansion Interface Adapter with your QuickPanel Control operator interface. The 44-pin D-sub connector is used for the interface cable to the VersaMax Micro PLC expansion unit.



Related Documents

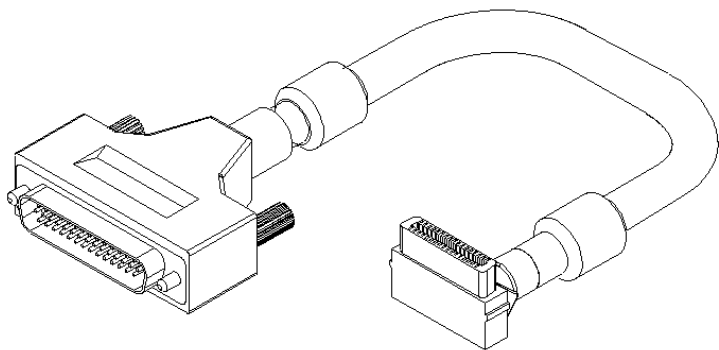
VersaMax Micro and Nano PLCs User's Manual, GFK-1645D or later revisions.

Pin Details of 44-pin D-sub Connector

Pin No.	Signal name	Signal Description	Pin No.	Signal name	Signal Description
1	EPBA0	Address 0	23	EXD6	Data 6
2	GND	GND	24	LCS3_n	Chip Select for unit 3
3	EPBA1	Address 1	25	EXD1	Data 1
4	GND	GND	26	LWR	Write Enable
5	GND	GND	27	GND	GND
6	GND	GND	28	EXD0	Data 0
7	GND	GND	29	NC	No Connect
8	GND	GND	30	NC	No Connect
9	LCS2_n	Chip Select for unit 2	31	EEXEN	Exp. Unit Enable
10	GND	GND	32	GND	GND
11	GND	GND	33	EXD3	Data 3
12	EXD5	Data 5	34	EXD7	Data 7
13	GND	GND	35	GND	GND
14	NC	No connect	36	GND	GND
15	NC	No Connect	37	EXD2	Data 2
16	EXD4	Data 4	38	LRES_n	I/O Clear
17	GND	GND	39	GND	GND
18	EPBA2	Address 2	40	GND	GND
19	LCS0_n	Chip Select for unit 0	41	GND	GND
20	EPBA3	Address 3	42	LRD	Read Enable
21	LCS1_n	Chip Select for unit 1	43	NC	No Connect
22	IRQ	Interrupt	44	NC	No Connect

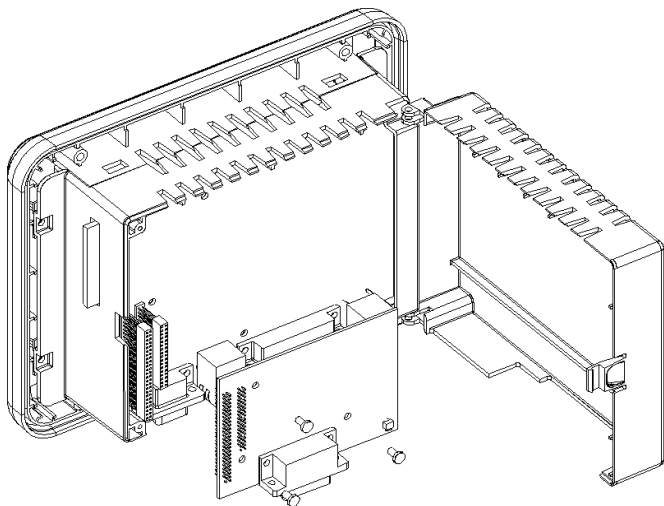
VersaMax Micro Expansion I/O Cable

The 1.0 Meter VersaMax Micro Expansion I/O Cable (IC754UEX10CBL) ships with the VersaMax Micro PLC expansion Interface Adapter.



Installing a VersaMax Micro PLC Expansion Interface Adapter

Caution: Always use anti-static precautions when accessing the mating connector or the interior of the unit.



Note: The 6" model QuickPanel is shown. Other models are similar.

1. Disconnect the DC input power terminal block connector from your QuickPanel Control unit before inserting the Expansion unit Interface Adaptor.
2. Open the back cover.
3. Attach the VersaMax Micro PLC expansion Interface Adapter to the unit by plugging the Adaptor into the mating connectors on the back of the unit.

Caution: **Be sure to properly align pins in the dual connector upon insertion to avoid damage to the card or the QuickPanel Control unit.**

4. Install the three screws to secure the card in the unit.
5. Close the cover.

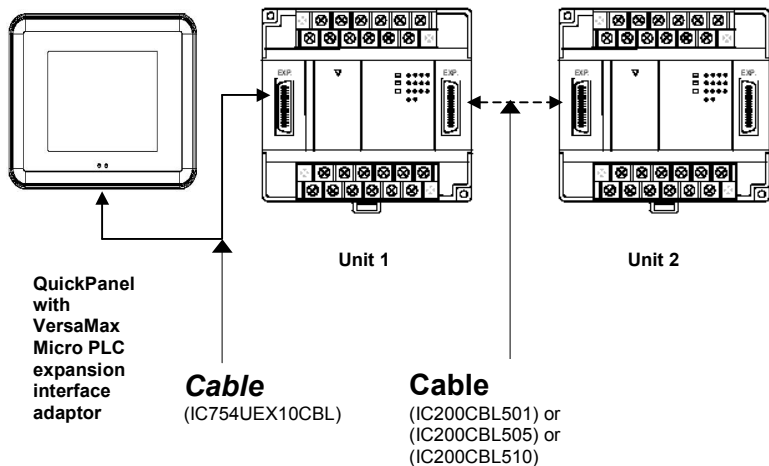
Note: To use this card with QuickPanel Control, Proficy™ Machine Edition software is required.

Please refer to the GE-Fanuc Support web page <http://globalcare.gefanuc.com> for the latest service pack upgrades and specials.

Connecting the Expansion Cable

Note: Refer to “Connecting an Expansion Unit to a Micro PLC” in the *VersaMax Micro and Nano PLCs User's Manual, GFK-1645* for installation guidelines and warnings.

Connect the cable from the VersaMax Micro PLC expansion Interface Adapter mounted inside the QuickPanel to the VersaMax Micro PLC Expansion unit as shown below.



Environmental Specifications

<i>Environmental Conditions</i>	
Temperature Operation Storage	0°C to 60°C -40°C to 85°C
Humidity	5 to 95% RH (non-condensing)
Vibration (Operating)	(IEC 68-2-6) 10 - 57Hz, 0.012" peak-peak displacement 57 - 500Hz, 1.0g acceleration
Shock (Operating)	(IEC 68-2-27) 15g, 11ms (sine wave)

Product Certification

<i>Description</i>	<i>Agency Standard or Marking</i>	<i>Comments</i>
N.A. Safety for Industrial Control Equipment	UL508/C-UL	Certification by Underwriter's Laboratories to UL standard and equivalent CSA standard.
N.A. Safety for Hazardous Locations Class I, Div. 2, Groups A, B, C, D	UL1604/C-UL	Certification by Underwriter's Laboratories to UL standard and equivalent CSA standard.
Explosive Atmospheres Directive European Safety for Hazardous Locations Equipment Group II, Category 3	ATEX	Certification in accordance with European Directives; Refer to Declaration of Conformity and Independent 3 rd Party Assessment Certificate.
Electromagnetic Compatibility Directive European EMC for Industrial Control Equipment	CE	Certification by Competent Body in accordance with European Directives. Refer to Declaration of Conformity.