

# **QuickPanel™ Control Communication Module Quick Installation Guide**

---

PCIF I/O Adapter

April 2010

---

*GFK-2245A*

## Warnings, Cautions, and Notes as Used in this Publication

### Warning

**Warning notices are used in this publication to emphasize that hazardous voltages, currents, temperatures, or other conditions that could cause personal injury exist in this equipment or may be associated with its use.**

**In situations where inattention could cause either personal injury or damage to equipment, a Warning notice is used.**

### Caution

**Caution notices are used where equipment might be damaged if care is not taken.**

**Note:** Notes merely call attention to information that is especially significant to understanding and operating the equipment.

This document is based on information available at the time of its publication. While efforts have been made to be accurate, the information contained herein does not purport to cover all details or variations in hardware or software, nor to provide for every possible contingency in connection with installation, operation, or maintenance. Features may be described herein which are not present in all hardware and software systems. GE Intelligent Platforms assumes no obligation of notice to holders of this document with respect to changes subsequently made.

GE Intelligent Platforms makes no representation or warranty, expressed, implied, or statutory with respect to, and assumes no responsibility for the accuracy, completeness, sufficiency, or usefulness of the information contained herein. No warranties of merchantability or fitness for purpose shall apply.

\* Indicates a trademark of GE Intelligent Platforms, Inc. and/or its affiliates. All other trademarks are the property of their respective owners.

## Contact Information

---

If you purchased this product through an Authorized Channel Partner, please contact the seller directly.

### **General Contact Information**

Online technical support and GlobalCare	<a href="http://www.ge-ip.com/support">http://www.ge-ip.com/support</a>
Additional information	<a href="http://www.ge-ip.com/">http://www.ge-ip.com/</a>
Solution Provider	<a href="mailto:solutionprovider.ip@ge.com">solutionprovider.ip@ge.com</a>

### **Technical Support**

If you have technical problems that cannot be resolved with the information in this guide, please contact us by telephone or email, or on the web at [www.ge-ip.com/support](http://www.ge-ip.com/support)

### **Americas**

Online Technical Support	<a href="http://www.ge-ip.com/support">www.ge-ip.com/support</a>
Phone	1-800-433-2682
International Americas Direct Dial	1-780-420-2010 (if toll free 800 option is unavailable)
Technical Support Email	<a href="mailto:support.ip@ge.com">support.ip@ge.com</a>
Customer Care Email	<a href="mailto:customercare.ip@ge.com">customercare.ip@ge.com</a>
Primary language of support	English

## Contact Information

---

### ***Europe, the Middle East, and Africa***

Online Technical Support	<a href="http://www.ge-ip.com/support">www.ge-ip.com/support</a>
Phone +800-1-433-26	82
EMEA Direct Dial	+352-26-722-780 (if toll free 800 option is unavailable or if dialing from a mobile telephone)
Technical Support Email	<a href="mailto:support.emea.ip@ge.com">support.emea.ip@ge.com</a>
Customer Care Email	<a href="mailto:customercare.emea.ip@ge.com">customercare.emea.ip@ge.com</a>
Primary languages of support	English, French, German, Italian, Czech, Spanish

### ***Asia Pacific***

Online Technical Support	<a href="http://www.ge-ip.com/support">www.ge-ip.com/support</a>
Phone +86-400-820-8	208
	+86-21-3217-4826 (India, Indonesia, and Pakistan)
Technical Support Email	<a href="mailto:support.cn.ip@ge.com">support.cn.ip@ge.com</a> (China)
	<a href="mailto:support.jp.ip@ge.com">support.jp.ip@ge.com</a> (Japan)
	<a href="mailto:support.in.ip@ge.com">support.in.ip@ge.com</a> (remaining Asia customers)
Customer Care Email	<a href="mailto:customercare.apo.ip@ge.com">customercare.apo.ip@ge.com</a>
	<a href="mailto:customercare.cn.ip@ge.com">customercare.cn.ip@ge.com</a> (China)

The PCIF I/O Adapter has been tested and found to meet or exceed the requirements of U.S. (47 CFR 15), Canadian (ICES-003), Australian (AS/NZS 3548) and European (EN55022) regulations for Class A digital devices when installed in accordance with guidelines noted in this manual.

**Note:** This device complies with Part 15 of the FCC rules. Operation is subject to the following two conditions: (1) This device may not cause harmful interference, and (2) This device must accept any interference received that may cause undesired operation.

**Note:** This equipment has been tested and found to comply with the limits for a Class A digital device, pursuant to Part 15 of the FCC Rules. These limits are designed to provide reasonable protection against harmful interference when the equipment is operated in a commercial environment. This equipment generates, uses, and can radiate radio frequency energy and, if not installed and used in accordance with the instruction manual, may cause harmful interference to radio communications. Operation of this equipment in a residential area is likely to cause harmful interference in which case the user will be required to correct the interference at his own expense.

**Note:** This Class A digital apparatus complies with Canadian ICES-003.

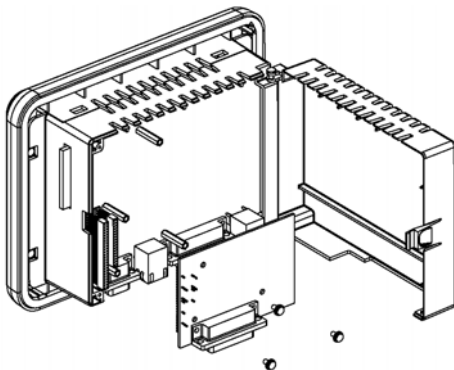
The following statements are required to appear for Class 1, Div 2 Hazardous Locations.

1. EQUIPMENT LABELED WITH REFERENCE TO CLASS 1, GROUPS A, B, C, AND D, DIV 2 HAZARDOUS LOCATIONS IS SUITABLE FOR USE IN CLASS 1, DIVISION 2, GROUPS A, B, C, D, OR NON-HAZARDOUS LOCATIONS ONLY.
2. WARNING - EXPLOSION HAZARD - SUBSTITUTION OF COMPONENTS MAY IMPAIR SUITABILITY FOR CLASS 1, DIVISION 2.
3. WARNING - EXPLOSION HAZARD - DO NOT DISCONNECT EQUIPMENT UNLESS POWER HAS BEEN SWITCHED OFF OR THE AREA IS KNOWN TO BE NONHAZARDOUS.

The communication card meets ATEX Group II Category 3 when installed properly in a QuickPanel Control OI.

## Installing a Communication Module

**Warning:** Always use anti-static precautions when accessing the mating connector or the interior of the unit.



**Note:** The 6" model QuickPanel is shown. Other models are similar.

1. Disconnect the DC input power terminal block connector from your QuickPanel Control unit before connecting the Communication Module to the unit.

## Installation 7

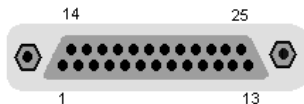
---

2. Open the back cover.
3. Attach the Communication Module to the unit by plugging the module into the mating connectors on the back of the unit.
4. Install the three screws to secure the card in the unit.
5. Close the cover.

Connect your I/O network to external connections on the module enclosure (see applicable sections for details).

**Caution: Be sure to properly align pins in the dual connector upon insertion to avoid damage to the card or the QuickPanel Control.**

## Series 90-30 Remote I/O Connector



Pin #	Signal	Direction
1	SHLD	N/A
2 DFRAM	E +	Output
3 DFRAM	E -	Output
7	GND	N/A
8 RUN	+	Output
9 RUN	-	Output
12 P	ERR +	Input
13 P	ERR -	Input
16 DA	TA +	Input/Output
17 DA	TA -	Input/Output
20 R	SEL +	Output
21 R	SEL -	Output
24 IOCLK	+	Output
25 IOCLK	-	Output



### Interconnecting Cable

The cable used should have seven twisted pairs, with an overall shield and drain wire (Belden 8107 or equivalent). The final rack on the I/O Bus should be terminated with an I/O Bus terminator plug, catalog number IC693ACC307.

Interconnecting cables may be standard length GE expansion cables or custom length cables.

<b>Part Number</b>	<b>Cable Type</b>
IC693CBL300	1 meter "Wye" cable
IC693CBL301	2 meter "Wye" cable
IC693CBL302	15 meter "point to point" cable

### Environmental Specifications

<b>Storage Temperature</b>	-20° to 70°C
<b>Operating Temperature</b>	0° to 60°C
<b>Operating Humidity</b>	5 to 90% (non-condensing)