

Quick Panel View / Control Mounting Clip cut out:

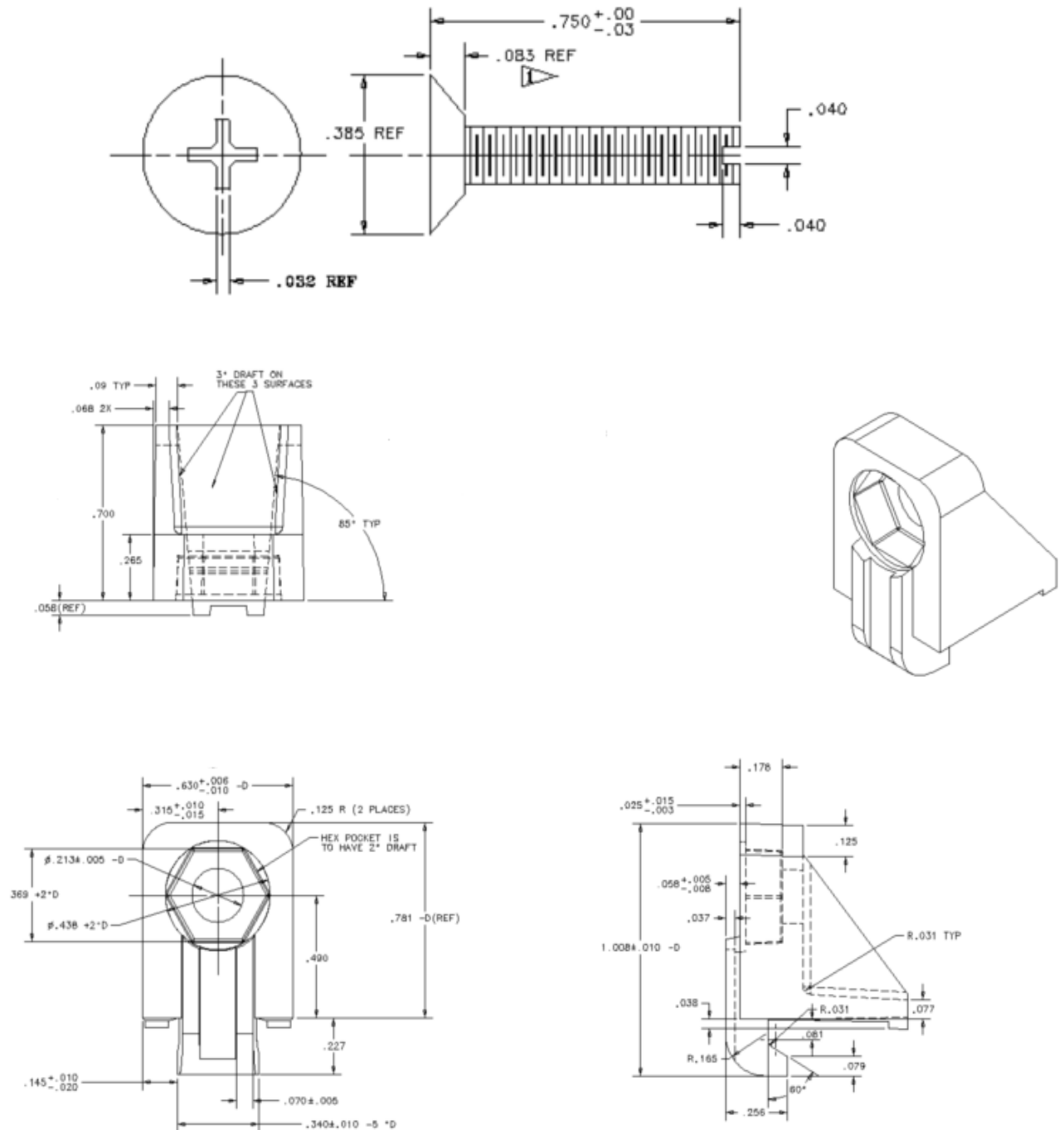
The drawing of the mounting clip will apply to the following part:

Part#: IC754ACC06MNT - Mounting Clips for 6 Inch QuickPanel View & Control

Part#: IC754ACC08MNT - Mounting Clips for 8 Inch QuickPanel View & Control

Part#: IC754ACC12MNT - Mounting Clips for 12 Inch QuickPanel View & Control

Part#: IC754ACC15MNT - Mounting Clips for 15 Inch QuickPanel View & Control

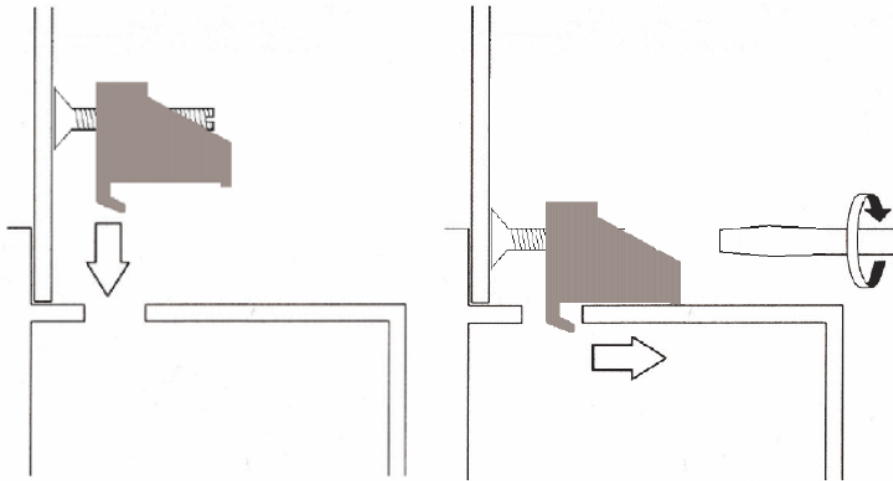


To mount the QuickPanel View/Control in a panel

1. Insert the unit into the panel cutout (without a CF card in the CF port).
2. Insert the hook of each mounting clamp into the housing openings as shown below.
3. Ensure that the gasket is properly seated in the bezel channel and firmly tighten the clamp screws.

Note: The torque range for the mounting clamp screws is 2.6-4.4 inch/lbs (0.3-0.5 Nm)

The mounting clamps hold the unit in place by tension alone. No drilling is required.



Do not damage the gasket attached to the back of the QuickPanel View/Control's bezel. This gasket prevents shock hazards and damage caused by liquids accidentally entering the unit after installation.

Also, limit the number of times you remove and reinstall the unit. Too many installations may cause gasket "set" and degradation of the seal.